

myMix



IEX-16L

16 Channel Input Expander for
myMix networkable personal audio monitoring and recording
system

Owner's Manual - ENGLISH

V1-45

SAFETY INSTRUCTIONS



IMPORTANT ! Read the following before operating IEX-16L

1. Read all safety and operating instruction before using **IEX-16L**.
2. Keep these instructions in a safe place for future reference.
3. Heed all warnings and follow all instructions.
4. Do not use the **IEX-16L** unit near water, e.g. a bathtub, or swimming pool.
5. Clean only with dry cloth, and keep moisture away from the unit.
6. Do not block any ventilation openings. Install and use only in accordance with the manufacturer's instructions.
7. Do not install or use near any heat sources such as radiators, heat registers, stoves, or other apparatus (including power amplifiers) that produce heat.
8. Protect the power cord from being walked on or pinched. Replace the power supply if the power cord or power supply shows signs of damage.
9. Only use attachments and accessories specified by the manufacturer.
10. The **IEX-16L** unit should only be used with a power supply as specified from the manufacturer. If the provided plug of the power supply does not fit in your outlet, consult your local dealer for the appropriate outlet.
11. Do not handle the power supply and other power cables with wet hands or on wet floor to avoid the risk of electric shock.
12. Unplug the **IEX-16L** unit during lightning storms.
13. Refer all servicing to qualified service personnel. Do not attempt to open the unit yourself. Servicing is required when the **IEX-16L** unit has been damaged in any way, liquid has been spilled or objects fallen into the unit, the unit has been exposed to water or moisture, does not operate normally, or has been dropped.
14. Exchanging the internal battery for memory should only be done by qualified personnel. Note that exchanging the battery will return the unit in factory default settings. Refer to your local dealer or the **IEX-16L** tech support if in doubt.
15. Do not place any objects filled with liquids such as cups and glasses on the unit.
16. Excessive sound pressure level from earphones, headphones and speakers can cause hearing damage and even hearing loss.
17. If anything drops into the media card slot, remove it after unplugging the power supply or Ethernet cable (when using Power over Ethernet), or consult your technical representative.

CAUTION



- Turn off all audio devices and speakers when connecting to **IEX-16L**. Refer to the owner's manual for each device. Use the correct cables and connect as specified.
- **IEX-16L** is a precision device. Handle it with care.
- If you notice any abnormality—such as smoke, odor, or noise—turn off **IEX-16L** immediately. Remove the AC power cord from the AC outlet. Confirm that the abnormality is no longer present. Consult your dealer for repair. Using **IEX-16L** in this condition is a fire and shock hazard.
- If a foreign object or water gets inside **IEX-16L**, turn it off immediately. Remove the AC power supply from the AC outlet. Consult your dealer for repair. Using **IEX-16L** in this condition is a fire and electrical shock hazard.
- If you plan not to use **IEX-16L** for a long period of time (such as when you are on vacation), remove the AC power supply from the AC outlet. Leaving **IEX-16L** connected is a fire hazard.

WARNINGS



- Do not locate **IEX-16L** in a place subject to excessive heat or in direct sunlight. This could be a fire hazard.
- Do not place **IEX-16L** in a place subject to excessive humidity or dust. This could be a fire and electrical shock hazard.
- Connect the supplied AC power supply only to an AC outlet of the type stated in this Owner's Manual or as marked on the main unit. Failure to do so is a fire and electrical shock hazard.
- Do not place heavy objects on the power cord. A damaged power cord is a potential fire and electrical shock hazard.
- If the power cord is damaged (i.e., cut or a bare wire is exposed), ask your dealer for a replacement. Using **IEX-16L** in this condition is a fire and shock hazard.
- Hold the AC power supply when disconnecting from an AC outlet. Never pull the cord. Damaging the power cord in this way is a potential fire and electrical shock hazard.
- Do not place small metal objects on top of **IEX-16L**. Metal objects inside **IEX-16L** are a fire and electrical shock hazard.
- Do not block the IEX-16L ventilation holes. **IEX-16L** has ventilation holes at the front and the rear to prevent the internal temperature from rising. Blocked ventilation holes can damage the unit and are a fire hazard.
- Do not try to modify **IEX-16L**. This could be a fire and electrical shock hazard.
- Do not use **IEX-16L** in an environment outside of the temperature range between 5°C and 35°C (41°F and 95°F).

Information for Users on Collection and Disposal of Old Equipment (EU)

The symbol below on the products, packaging and/or accompanying documents means that used electrical and electronic products should not be mixed with general household waste. For proper treatment, recovery and recycling of old product please take them to applicable collection points, in accordance with your national legislation and the directives 2002/96/EC and 2006/66/EC.. By disposing of these products correctly,

you will help to save valuable sources and prevent any potential negative effects on human health and the environment which could otherwise arise from inappropriate waste handling. For more information about collection and recycling of old products, please contact your local municipality, your waste disposal service or the point of sale where you purchased the item.



Information for Users on Disposal of Old Equipment outside the EU

The symbol left is only valid in the European Union. If you wish to discard these items, please contact your local authorities or dealer and ask for the correct method of disposal.

Declaration of Conformity (for USA)

Model Number: IEX-16L
Type of Equipment: Input Expander for Professional Audio Recording and Mixing System
Responsible Party: MOVEK, LLC
Address: 6517 Navaho Trail, Edina, Minnesota, 55439, U.S.A.
Telephone Number : 1 (952) 657-7889

This device complies with Part 15 of the FCC Rules. Operation is subject to the following two conditions: (1) this device may not cause harmful interference, and (2) this device must accept any interference received, including interference that may cause undesired operation.

NOTE: This equipment has been tested and found to comply with the limits for a Class B digital device, pursuant to part 15 of the FCC rules. These limits are designed to provide reasonable protection against harmful interference in a residential installation. This equipment generates uses and can radiate radio frequency energy and, if not installed and used in accordance with the instructions, may cause harmful interference to radio communications. However, there is no guarantee that interference will not occur in a particular installation. If this equipment does cause harmful interference to radio or television reception, which can be determined by turning the equipment off and on, the user is encouraged to try to correct the interference by one or more of the following measures:

- a) Reorient or relocate the receiving antenna.
- b) Increase the separation between the equipment and receiver.
- c) Connect the equipment into an outlet on a circuit different from that to which the receiver is connected.
- d) Consult the dealer or an experienced radio/TV technician for help.

CAUTION

Changes or modifications to this equipment not expressly approved by the manufacturer for compliance could void the user's authority to operate this equipment.

LIMITED WARRANTY

This MOVEK warranty applies only to products you purchased for your own use. This MOVEK limited warranty is available in others languages at .

MOVEK warrants that each myMix product that you purchase is free from defects in materials and workmanship under normal use during the warranty period. The warranty period starts on the original date of purchased specified on your sales receipt or invoice unless MOVEK informs you otherwise in writing. During the warranty period of one year (or longer as required by law) MOVEK will provide warranty service without charge for parts and labor in case a defect in material or workmanship occurs.

THIS WARRANTY IS YOUR EXCLUSIVE WARRANTY AND REPLACES ALL OTHER WARRANTIES OR CONDITIONS, EXPRESS OR IMPLIED, INCLUDING, BUT NOT LIMITED TO, THE IMPLIED WARRANTIES OR CONDITIONS OF MERCHANTABILITY AND FITNESS FOR A PARTICULAR PURPOSE. SOME STATES OR JURISDICTIONS DO NOT ALLOW THE EXCLUSION OF EXPRESS OR IMPLIED WARRANTIES, SO THE ABOVE EXCLUSION MAY NOT APPLY TO YOU. IN THAT EVENT, SUCH WARRANTIES APPLY ONLY TO THE EXTENT REQUIRED BY LAW AND ARE LIMITED IN DURATION TO THE WARRANTY PERIOD. NO WARRANTIES APPLY AFTER THAT PERIOD. SOME STATES OR JURISDICTIONS DO NOT ALLOW LIMITATIONS ON HOW LONG AN IMPLIED WARRANTY LASTS, SO THE ABOVE LIMITATION ON DURATION MAY NOT APPLY TO YOU. LIMITATION OF WARRANTY: UNDER NO CIRCUMSTANCES SHALL MOVEK, ITS SUPPLIERS, RESELLERS, OR SERVICE PROVIDERS BE LIABLE FOR ANY OF THE FOLLOWING EVEN IF INFORMED OF THEIR POSSIBILITY: 1) THIRD PARTY CLAIMS AGAINST YOU FOR DAMAGES; 2) LOSS OR DAMAGE TO YOUR DATA; OR 3) SPECIAL, INCIDENTAL, INDIRECT OR CONSEQUENTIAL DAMAGES, INCLUDING LOST PROFITS, BUSINESS REVENUE, GOODWILL OR ANTICIPATED SAVINGS. AS SOME STATES OR JURISDICTIONS DO NOT ALLOW THE EXCLUSION OR LIMITATION OF INCIDENTAL OR CONSEQUENTIAL DAMAGES, THE ABOVE LIMITATION OR EXCLUSION MAY NOT APPLY TO YOU.

THIS WARRANTY GIVES YOU SPECIFIC LEGAL RIGHTS AND YOU MAY HAVE OTHER RIGHTS WHICH VARY FROM STATE TO STATE OR JURISDICTION TO JURISDICTION. YOU MAY ALSO HAVE OTHER RIGHTS UNDER APPLICABLE LAW OR WRITTEN AGREEMENT WITH MOVEK. NOTHING IN THIS WARRANTY AFFECTS STATUTORY RIGHTS, INCLUDING RIGHTS OF CONSUMERS UNDER NATIONAL LEGISLATION GOVERNING THE SALE OF CONSUMER GOODS THAT CANNOT BE WAIVED OR LIMITED BY CONTRACT.

TABLE OF CONTENTS

SAFETY INSTRUCTIONS	2
WARNINGS.....	3
CAUTION	3
Information for Users on Collection and Disposal of Old Equipment (European Union)	3
Information on Disposal in countries outside the European Union.....	3
Declaration of Conformity (for USA).....	4
LIMITED WARRANTY	4
TABLE OF CONTENTS	5
INTRODUCTION.....	6
IMPORTANT NOTES.....	6
HARDWARE	7
CONNECTIONS.....	7
Audio Inputs	7
Network and Configuration Port.....	7
Power Supply	7
INTEGRATING INTO EXISTING SOUND SYSTEMS.....	8
Signals from a Mixing Console.....	8
Signal from a Microphone Splitter/Pre Amp.....	9
Digital Inputs- ADAT output from mixing console or soundcard	10
Digital Inputs using a MADI to ADAT Interface	10
NETWORKING.....	11
Switch Requirements – Audio Channel Pairs – Network Configuration	11
Network Examples	12-13
IEX-16L CONFIGURATION	14
Access, Lock, Factory Default.....	14
Input Mode	14
Naming Inputs	15
Input Gain.....	15
SELECTING NETWORK SIGNALS WITH MYMIX.....	16-17
SYSTEM EXAMPLES	18-19
UPDATING FIRMWARE	20
SPECIFICATIONS	21

INTRODUCTION

Thank you and congratulations for purchasing the **IEX-16L** 16-channel input expander for **myMix**, the first networked personal mixer and multi-track recorder built for musicians. **myMix** has been designed with two main goals: to enable musicians to hear their music the way they want to hear it and to allow them to capture performances in multi-track recordings to optional SD or SDHC cards. **myMix** puts each musician in control of his or her own sound, with an intuitive user interface designed for creative people.

The **IEX-16L** adds up to 16 channels to a myMix network from a single device. The **IEX16L-** is available in two versions. Both accept 2 x 8 analogue line level signals from sources such as mixing consoles, microphone preamps, or active splitter/preamps. The **IEX16L-A** has additional digital inputs in ADAT format. Audio signals sent into an **IEX-16L** can be configured as mono or stereo and can be named individually like the inputs on a **myMix** unit. They will appear on the network in the same way that inputs from myMix units appear. It is possible to have as many audio channels on the network as the number of multi-cast groups an Ethernet switch will support (e.g. 256). From all available network channels, whether the input is through a myMix device or the IEX-

16L, each myMix user can select up to 16 channels (8 pairs, dual mono or stereo) for his/her individual monitor mix. So not only the mix, already the channel selection can be made individually by each myMix user.

This dramatically enhances the capabilities of the system, and allows flexibility for tailoring the monitoring options to the needs of each individual. Not only can each musician be in control of his personal mix, he can also decide what level of details he wants to see. For example, the drummer may want to have control of each microphone on his kit, but the other band members would rather have a stereo drum sub-mix. Conversely, the drummer may only want a stereo vocal sub-mix, but the vocalists want individual control of each vocal microphone. All of these signals can be injected onto the network (individual channels, multiple sub-mixes, etc) and be available for each individual musicians needs.

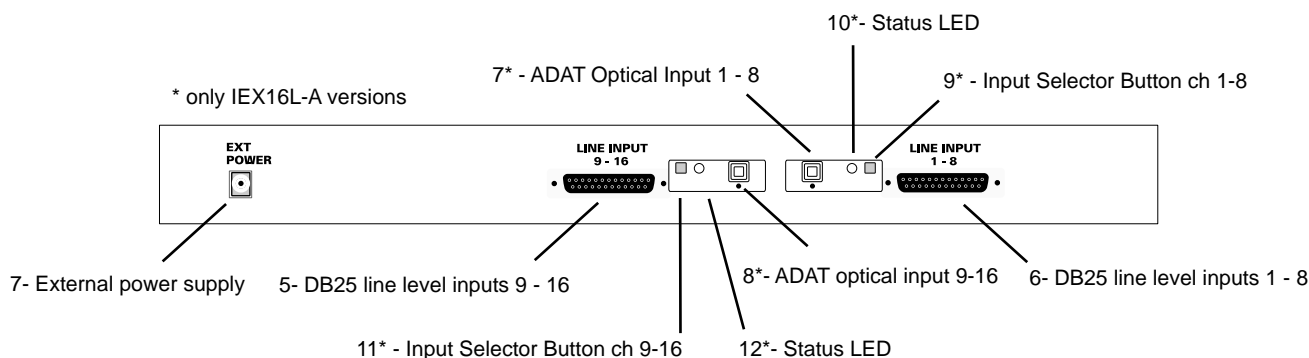
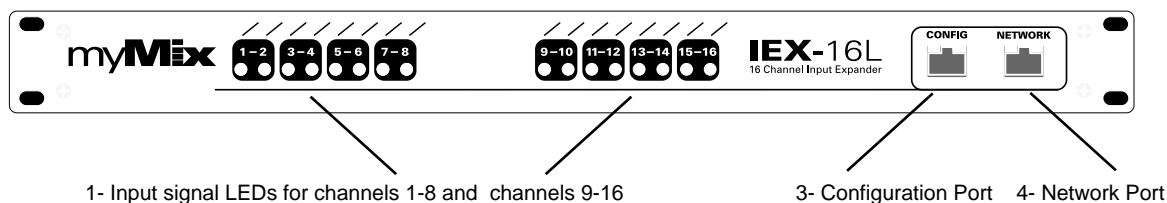
Whether a 5 piece band or a 50 person orchestra, myMix allows every user to create his own personal monitor mix, and have access to a wide variety of signals that best suit his preferences.

IMPORTANT NOTES

- To operate with **IEX-16L**, **myMix** units require firmware version 1.33 or higher.
- The version **IEX16L-A** (with additional ADAT inputs) requires firmware 1.45.
- Check on www.mymixaudio.com for the latest available firmware. If your system operates on a lower revision than the latest published we recommend to update the firmware.
- All **myMix** devices that are on the same network must be on the same firmware version.
- Networks with more than 16 audio channels in total require the use of a managed switch that can handle multicast groups (see Switch Requirements and Network Configurations).
- Networks with less than 16 channels, regardless of the amount of devices on the network, can still be operated with standard unmanaged Fast Ethernet switches.

This manual describes the functionality of firmware release V1.45.

For updated versions of the owner's manual and more application details for myMix and IEX-16L, video tutorials and information in other languages, please visit: www.mymixaudio.com.



You should find the following items in the box:

- IEX-16L unit: only IEX16L-A version is equipped with additional digital inputs in ADAT format.
- Power supply for IEX-16L with power plug

- Owner's manual with warranty information
- If any of these items are missing, contact your myMix dealer.

CONNECTIONS

Audio Inputs

	Ch1	Ch2	Ch3	Ch4	Ch5	Ch6	Ch7	Ch8
Hot	24	10	21	7	18	4	15	1
Cold	12	23	9	20	6	17	3	14
Grd	25	11	22	8	19	5	16	2

Pin Out DB25

The IEX-16L has 16 analogue balanced line level inputs. They are grouped in blocks of eight channels on two DB25 female connectors [5 & 6]. The DB25 connectors use industry standard pin out for readily available audio snakes with XLR or TRS connectors. The version IEX16L-A is equipped with additional digital inputs in ADAT® format , 24-bit, 48kHz [8 & 9]. Each input selector toggles between analogue or digital inputs for channels 1-8 and 9-16. If the digital input is selected the green status LED is on.

Network and Configuration Port

Both ports are 100BASE-TX. While the network port [3] is used for the normal connection of the IEX-16L to the switch, the configuration port [4] is used to directly connect a myMix unit for the configuration of the IEX-16L. The configuration port does not carry any audio signals but has the lock capability. Each IEX-16L can also be configured from any myMix on the network if not locked.

Power Supply

[7] is the connection for the external power supply, 24V, 0.5A DC. The IEX-16L uses the same power supply that is shipped with myMix units. The IEX-16L doesn't have a power switch, so if you are not using it for an extended period of time it is recommended that you power the unit down by unplugging the power supply from the mains.

INTEGRATING INTO EXISTING SOUND SYSTEMS

Depending on the application and personal preferences, there are many ways to integrate the IEX16L. The following two examples showing signal feeds from a console, and a splitter/microphone pre amp, should serve as a guideline. In some cases the perfect solution might consist of a mixture of individual signals (split or

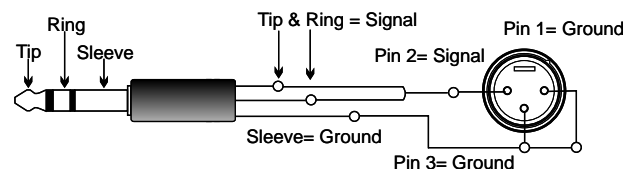
direct outputs) and sub-mixed signals from a mixing console (e.g. aux outputs) as inputs for the IEX-16L. Keep in mind that signals from local myMix units can be combined with signals from a single, or multiple, IEX-16L on the network.

Signals from a mixing console

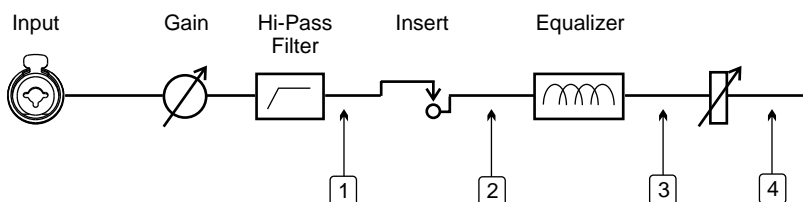
To get sub mixes of individual signals (e.g. drums, vocals) onto the myMix system one usually uses auxiliary or group outputs from the console. Another option would be individual channel signals (e.g. lead vocalist) using direct outputs or, if the console doesn't feature individual direct outs, using the channel insert points (requires special cable, see below) to get the individual signal. The choice of where to pick a signal before it's sent to the myMix system for individual monitoring is crucial for overall system performance.

Required cabling:

Console Output Connector	IEX16L cabling
XLR male	XLR female to DB25
¼" TRS	¼" TRS to DB25
Unbalanced Insert	Special Adaptor plus XLR to DB25



Special Adaptor TRS/XLR to use a console insert as direct output



Signal flow diagram showing four different options to get a signal for the IEX-16L

- 1: e.g. Direct Out, pre EQ, per Insert, or using the Insert as Direct Output
- 2: e.g. Aux Send, pre fader, pre EQ, post Insert
- 3: e.g. Aux Send, pre fader, post EQ
- 4: e.g. Aux Send post fader, or Direct Out post fader

Notes:

Pre Fader versus Post Fader signals for monitor use (Aux/Subgroup and Direct Outputs)

A signal sent to the myMix monitor system "pre fader" means that the console output signal is unaltered by any level changes to the main mix. In most cases this is the preferred scenario. While subgroups always contain post fader signals, most auxiliary busses can be used as pre or post fader. Direct outputs on most professional analogue consoles can be available as pre or post fade. Inexpensive analogue console direct outputs are usually fixed, but occasionally have a switchable jumper option. Larger digital consoles usually feature fully configurable outputs, while many smaller digital consoles don't even have direct channel outs. In cases where pre fade direct outputs are not available, see use of Inserts as Direct Out with a special adapter (above), or getting signals from a mic splitter/pre amp (below).

Pre EQ versus Post EQ send

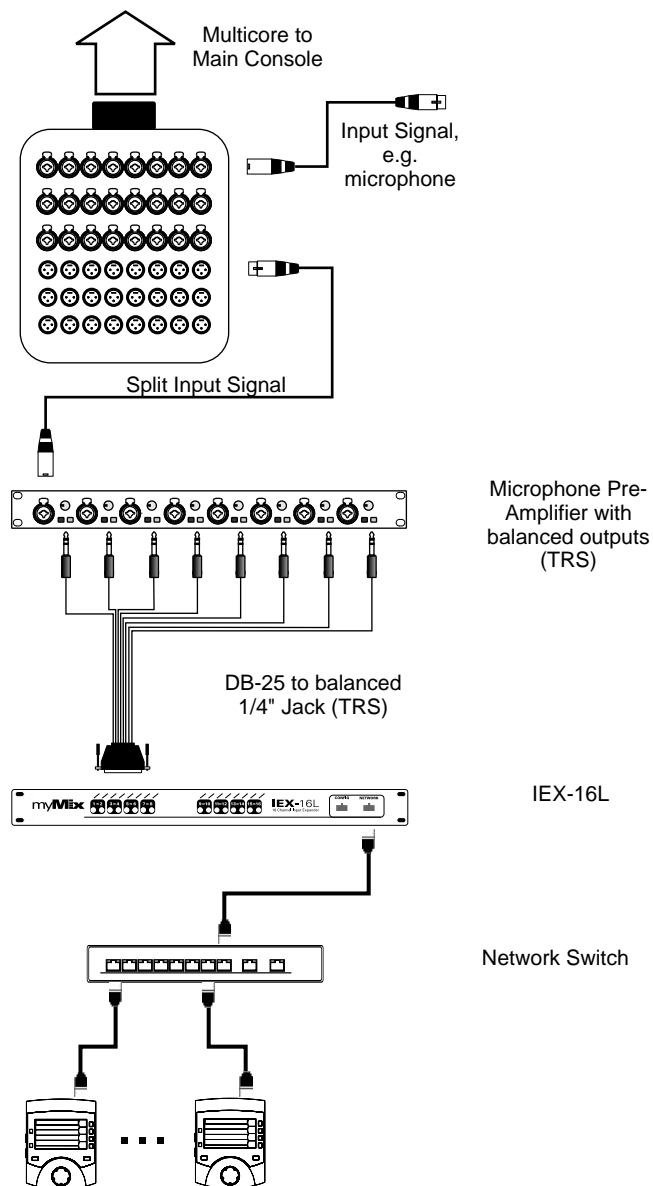
Some consoles have switchable pre or post EQ sends for an aux signal. The channel EQ on the console is adjusted to provide the most pleasing sound for the house PA system, the venue, the audience, etc. In some cases, however, the EQ setting that works for the main mix is very different from the sound that is ideal for monitoring. An example of how this can be counter-productive is when the FOH channel EQ is setup to compensate for the acoustic response of a room, but the musicians are monitoring with in-ears that are not affected by the sound of the room. In other cases it may be useful to have all EQs and dynamics in the monitoring signal, especially in the case of a monitoring a multi-track recording session.

Signals from a Microphone Splitter/Pre Amp

The best guarantee of independence between monitor and main mix signals is provided when the signal is split right after the source and fed to the main mixing console and the myMix monitoring system separately. Thus any alteration of the signal is only audible within the respective system. Changes to main mix signals don't affect the monitor system signals, and vice versa. Usually there are two options available:

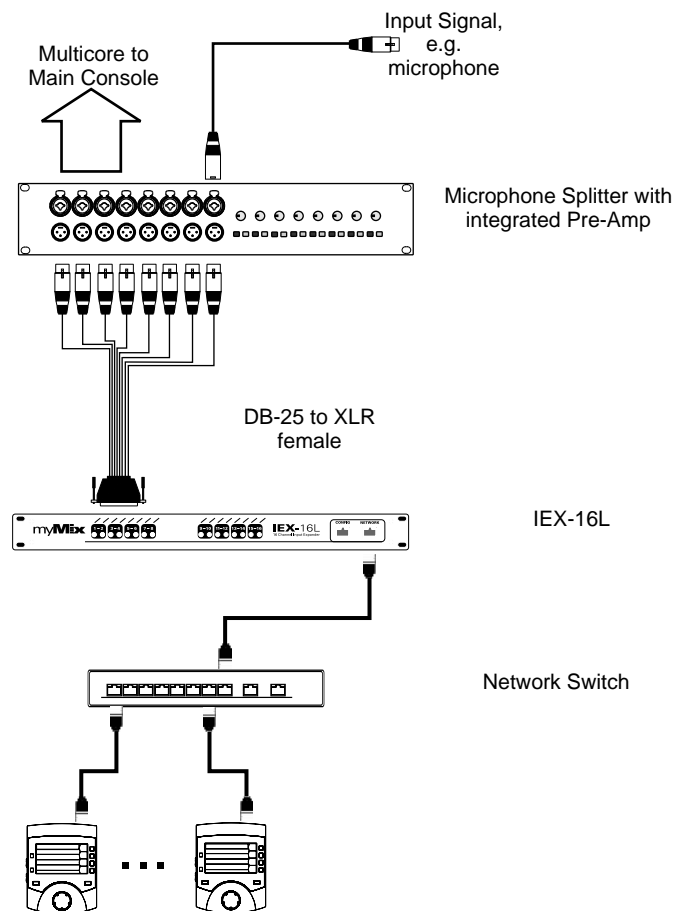
Stagebox with built-in signal split

The multicore for the main mixing console has a stage box with built in split capability: in this case it's only necessary to use an external mic pre amp to get the signal to the IEX-16L.



Combined Signal Splitter/Pre Amp

The multicore system has no split capability: in this case a mic splitter with built in mic preamps should be used. The direct signal is fed to the main console via the stagebox, while the split signal is fed to the IEX-16L for monitors.



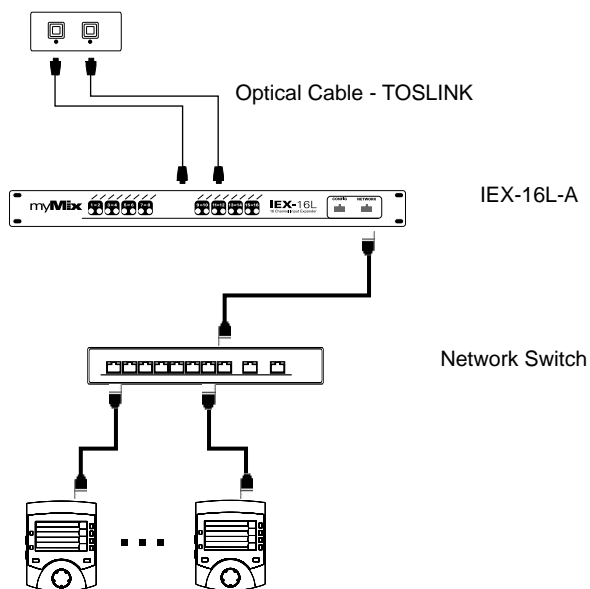
! The IEX16L is designed for line level signals, for microphone level signals you need an additional pre amp.

! The IEX16L has balanced inputs. If your signal is unbalanced, make sure the „cold“ pin is connected to ground.

INTEGRATING INTO EXISTING SOUND SYSTEMS-Digital Inputs IEX16L-A

Digital Input from ADAT® outputs of a mixing console or sound card

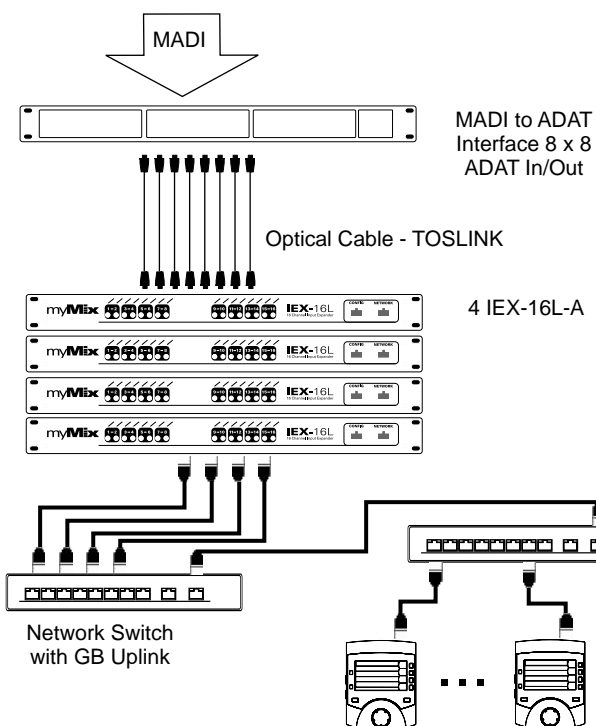
ADAT® Optical Output (8 channels) from digital console or soundcard



The version **IEX16L-A** has in addition to the 2x 8 line level inputs 2 digital inputs in ADAT® format (24-bit, 48 kHz). This allows to get digital inputs from a digital console or a sound card directly into the myMix system. The ADAT® input card of the IEX16L-A has a sample rate converter. The clock for the myMix system is done internally within myMix, so no master clock needs to be supplied.

Each ADAT® input is capable of 8 channels in 24-bit, 48kHz. As the inputs are switched in groups of 8, it is also possible to combine 8 analogue and 8 digital signals. The configuration and the operation of the signals is identical to any other signal within myMix.

Digital Input using a MADI to ADAT® Interface



Using third party MADI to ADAT® interface allows to feed up to 64 audio channels in 24-bit, 48kHz quality to the myMix system with a single cable.

The MADI to ADAT® interface provides up to 8 signal groups of 8 channels each. One IEX16L-A can take two 8ch groups, so for the total of 64 channels, 4 IEX16L-A are used. A managed switch with a GB uplink (Cat6 cabling) is connected to another managed switch that distributes the signal to the myMix units.

The myMix system uses an early (not the final) state of Ethernet AVB as its network protocol (e.g. audio transport according to IEEE-1722). The myMix network operates and is compatible with specifications of 100MB Fast Ethernet on Cat5 (or CAT5e) cabling. Readily available 100MB Fast Ethernet switches can be used to connect a myMix system.

myMix devices (myMix, IEX-16L) have a 100MBps Ethernet interface. This bandwidth allows for 8 x two-channels streams (=16 channels) of 24-bit, 48kHz audio in both directions. While the myMix and IEX16L are limited to these 8 pairs or 16 channels, the network can handle much more. To make more than 16 audio channels work, it is necessary to use a managed Fast Ethernet switch.

Note: Keep in mind that until Ethernet AVB switches become available, it is necessary to keep the myMix network separate from other network traffic. For future use with AVB switches, myMix and IEX-16L have to be updated with an AVB compatible firmware version for the system.

Switch Requirements - Audio Channel Pairs - Network Configuration

The following subjects determine the type of switch or switches to configure a myMix system:

- The amount of network devices (myMix and IEX-16L) determines the number of 100MBps ports on the switch(es).
- The amount of audio channel pairs: more than 8 pairs (max. 16 individual audio channels) requires a switch that supports IGMP snooping
- The amount of myMix units that should be powered via POE (Power-Over- Ethernet), POE enabled ports and POE budget of the switch. IEX-16L can only be powered via the external psu.
- The placement of the units, or the total system size might require more than one switch, in which case the Fast Ethernet switches need to provide Gigabit (1000BASE-TX) uplink ports.

An audio channel pair can be configured as two dual mono or one stereo signal. If you only decide to select one channel of a pair for your mix screen, you are using up the capacity of two channels. This is because the pair is always traveling together on the network. Two adjacent inputs of the IEX-16L (1-2, 3-4, 5-6, ...), like the two local inputs of a myMix unit are handled as one pair. You must place a signal which will be configured in stereo on an odd-even channel pair. For up to 8 audio channel pairs (e.g. one IEX16L using all 16 inputs) a conventional Fast Ethernet switch is sufficient. If more than 16 audio channels (or more than 8 audio channel pairs) are used, then a managed switch that supports IGMP snooping is required.

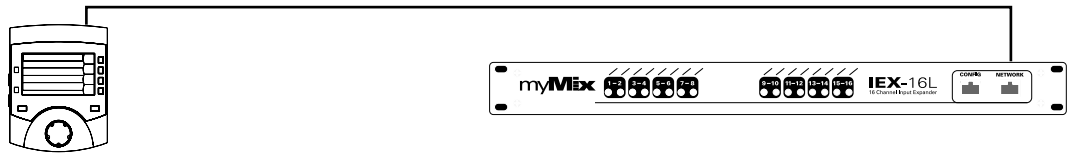
For tested switches and configuration examples see www.myMixaudio.com/support .

Note: Each device in the myMix system can send and/or receive a maximum of 8 audio channel pairs. This can be accomplished in a 100MB Full Duplex Fast Ethernet (100BASE-TX) connection using a Cat5 or Cat5e cabling. Switches to connect myMix or IEX16L only need to handle 100MB Fast Ethernet. However, if you are considering using more than one switch in a system, a Gigabit (GB) port is required for an uplink connection to allow the transfer of all audio channels between the switches. The Gigabit (1000BASE-TX) requires CAT6 cabling.

Network Examples

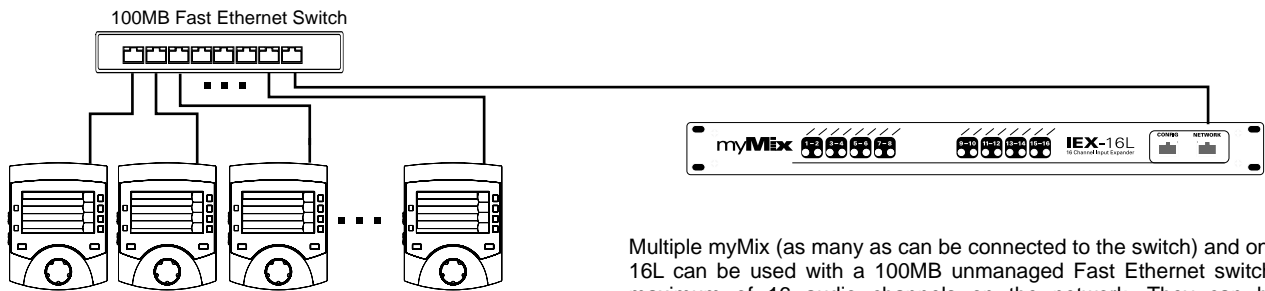
One myMix - one IEX-16L

One myMix - one IEX-16L



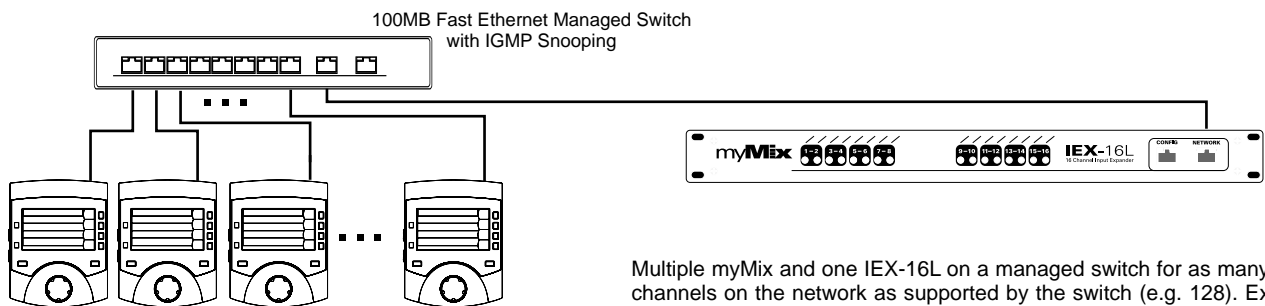
One IEX-16L can be connected directly via network port to one myMix. 16 audio channels can be mixed and recorded.

Multiple myMix - one IEX-16L max 16 Channels



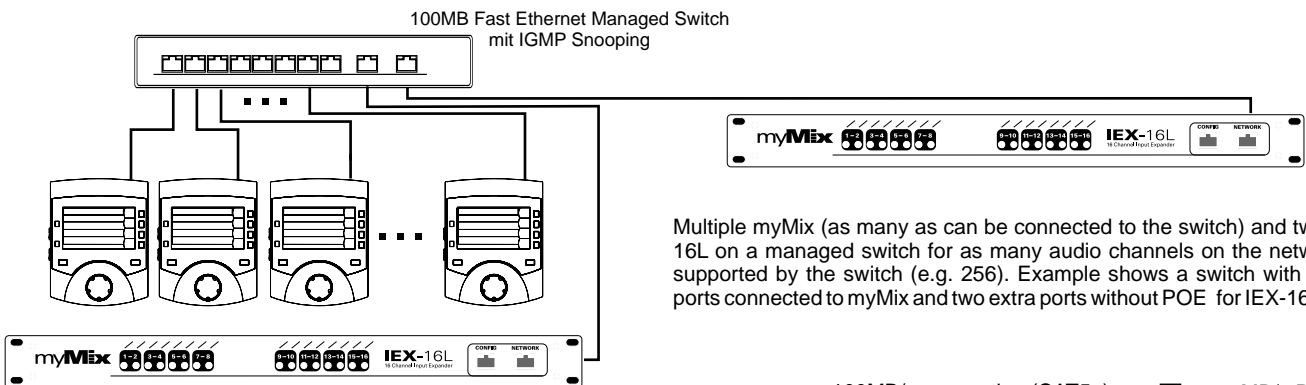
Multiple myMix (as many as can be connected to the switch) and one IEX-16L can be used with a 100MB unmanaged Fast Ethernet switch for a maximum of 16 audio channels on the network. They can be any combination from myMix or IEX-16L, e.g. 16 channels from IEX-16L and no inputs from any myMix, or 12 channels (6 pairs) from IEX-16L and 2 myMix using the local inputs (2 pairs= 4 channels)...

Multiple myMix - one IEX-16L- more than 16 Channels



Multiple myMix and one IEX-16L on a managed switch for as many audio channels on the network as supported by the switch (e.g. 128). Example shows a switch with 8 POE ports connected to myMix and one extra 100MB/s port for connecting to the IEX-16L.

Multiple myMix - two IEX-16L- more than 16 Channels

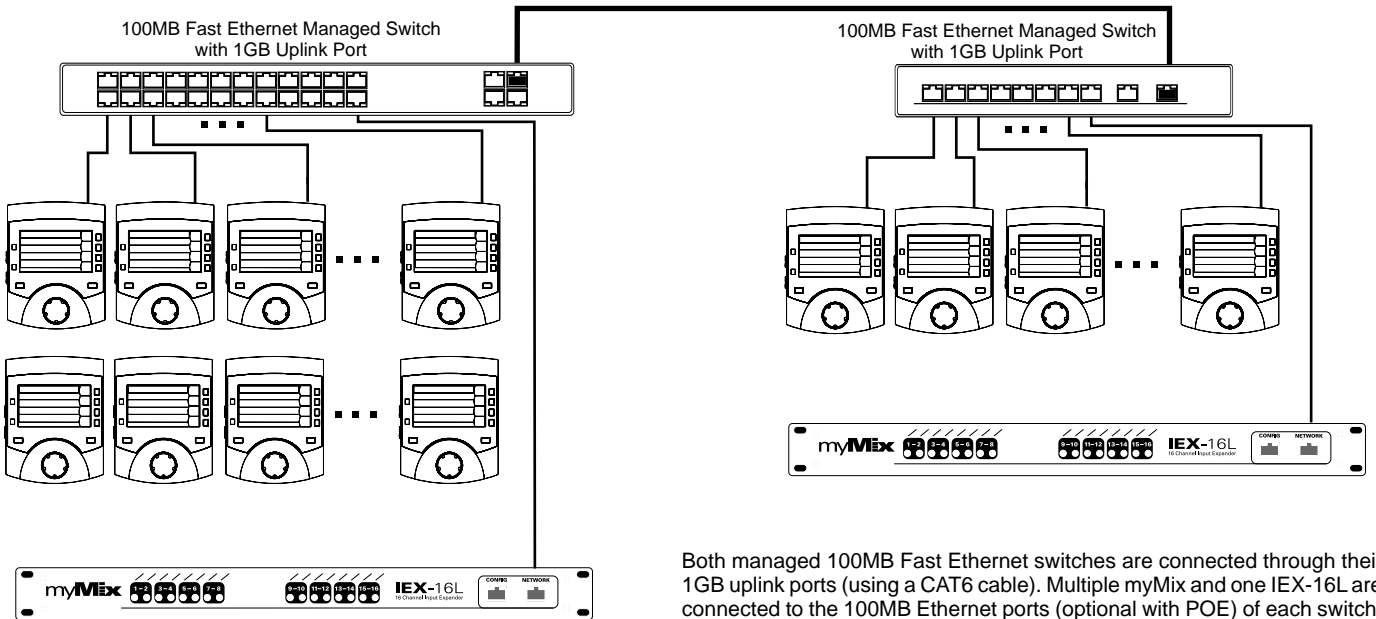


Multiple myMix (as many as can be connected to the switch) and two IEX-16L on a managed switch for as many audio channels on the network as supported by the switch (e.g. 256). Example shows a switch with 8 POE ports connected to myMix and two extra ports without POE for IEX-16L.

————— 100MB/s connection (CAT5e) □ 100MB/s Port

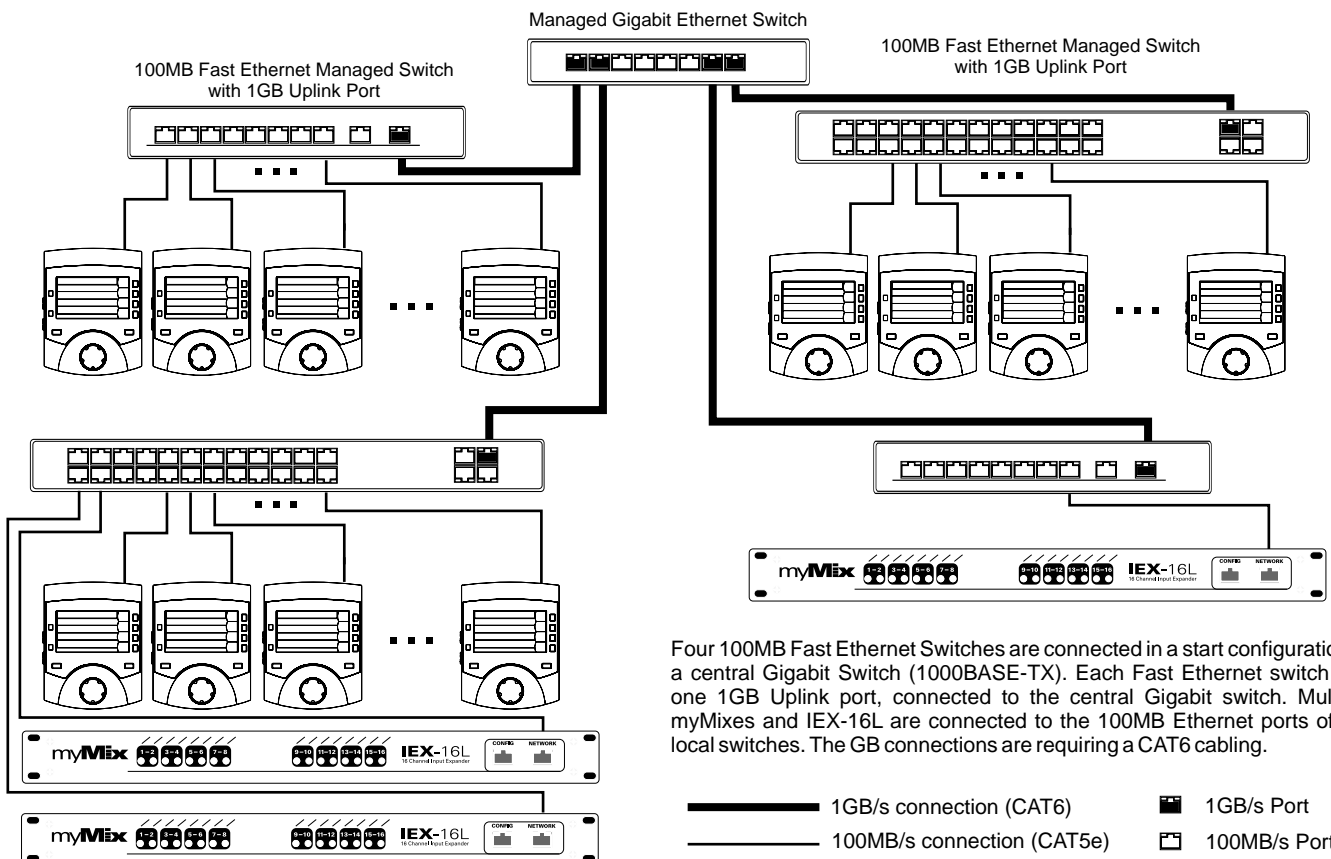
System Examples

Multiple myMix - two IEX-16L- two switches



Both managed 100MB Fast Ethernet switches are connected through their 1GB uplink ports (using a CAT6 cable). Multiple myMix and one IEX-16L are connected to the 100MB Ethernet ports (optional with POE) of each switch. Both switches need to support IGMP snooping.

Multiple myMix - multiple IEX-16L- multiple switches in star configuration



Four 100MB Fast Ethernet Switches are connected in a star configuration to a central Gigabit Switch (1000BASE-TX). Each Fast Ethernet switch has one 1GB Uplink port, connected to the central Gigabit switch. Multiple myMixes and IEX-16L are connected to the 100MB Ethernet ports of the local switches. The GB connections are requiring a CAT6 cabling.

- 1GB/s connection (CAT6)
- 100MB/s connection (CAT5e)
- 1GB/s Port
- 100MB/s Port

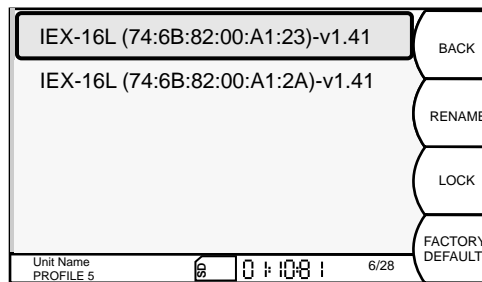
IEX-16L CONFIGURATION

Configuring the **IEX-16L**- with the exception of locking/unlocking- is possible from any myMix device on the network, or from a myMix unit that is connected to the CONFIG port of the **IEX-16L**. Note that the CONFIG port does not support any audio transmission. All settings in the **IEX-16L** (channel mode, naming, and gain) are stored within the actual unit, so if the unit is power cycled it will restore the settings to their last configuration.

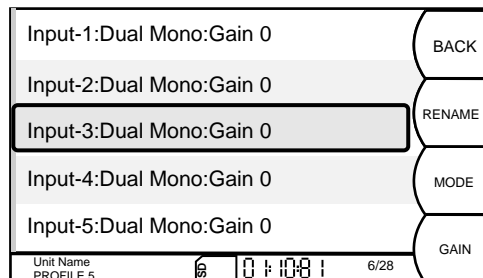
Access, Lock, Factory Default

To show a list of all available remote devices on the myMix network, go to SETTINGS on any myMix on the network, scroll to *Remote Devices* and press the Encoder button. Each IEX-16L is shown with its name, MAC address, and current firmware version. RENAME, allows you to rename the **IEX-16L** as it should appear on the network.

The LOCK/UNLOCK function is only available when connected to the CONFIG port. It is not possible to lock or unlock from a myMix over the network connection. When locked the **IEX-16L** can't be edited. Factory Defaults clear all current settings in the **IEX-16L** and puts all input channels to dual mono.



Input Mode

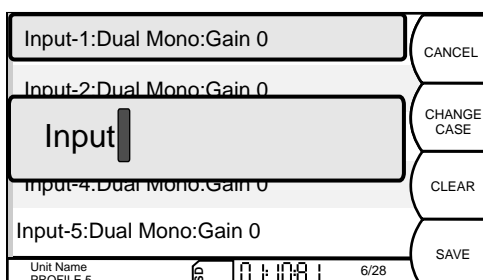


Selecting an **IEX-16L** from the list and pressing the myMix encoder button opens the configuration page of the **IEX-16L**. The softkey Mode toggles between the different input configurations. Dual Mono configures two independent mono channels, while Stereo assigns physically adjacent channels to a stereo pair where the odd channel number is left and the even channel number is right. Stereo pairs take the name of the odd numbered (or left) channel. Disable: disables an input pair from being active on the network. This function is useful when only a few inputs of the **IEX-16L** are used, or the overall network channel count has to be limited to 16 and other input sources are used as well.

Note: when the IEX16L has been locked, it is still possible to look at the configuration from every myMix on the network, but not to change anything. Attempting to edit a locked IEX16L will trigger the message: „Locked“.

IEX-16L CONFIGURATION

Naming Inputs

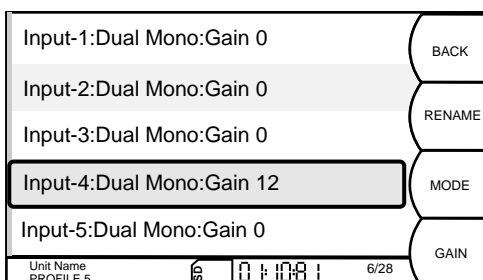


Pressing the softkey Name allows the naming of each input channel on the **IEX-16L**. Use the jog wheel to scroll through characters A-Z, space, and numbers 0 – 9. When you have selected the desired character, space, or number, push the jog wheel to move the cursor forward.

Change Case allows to select between upper and lower case letters. CLEAR removes the currently selected letter and moves the cursor back. Press SAVE when done.

Note: myMix remembers every channel it has seen on the network once in the current profile. New channels (= new channel name) on the network are automatically detected and displayed on the mix screen - until the maximum of 8 audio pairs (16 mono channels) is reached. Renaming a channel makes it appear new in the network. So be aware when you rename inputs that the settings stored go per channel name and not per physical input. If you e.g. change input 1 of an IEx16-L that was called „Lead Guitar“ to „Guitar“, this is seen as a new signal on the system. Settings were stored for the signal called „Lead Guitar“, the signal „Guitar“ will show up as new, with „zero mix“ settings (= zero volume, pan center, no effects).

Input Gain



There is the possibility to add gain to each input of the **IEX-16L** using the softkey GAIN. The switch moves through three steps of digital gain: 0dB (default), +6dB, +12dB. If, for some reason, your analog signal going into the **IEX-16L** is weak, it can be increased in level here.

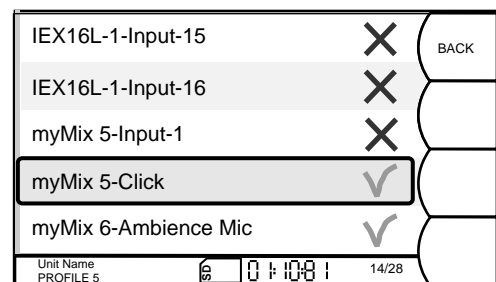
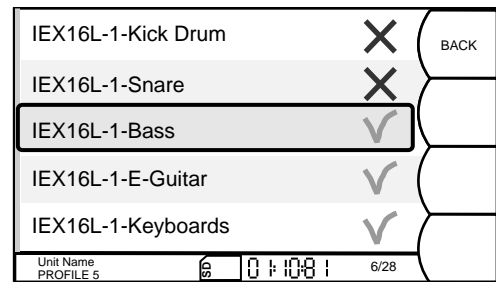
Note: adding digital gain to a channel also increases the noise floor. If a signal appears to be weak, the preferred action would be to increase the level at the source. Only if that is not possible, this gain should be used - as a last resort.

Selecting Audio Channels for myMix

To select the audio signals you want to use for your local mix, go to SETTINGS and scroll to Remote Channel Selection. Open the list by pressing the encoder button. Here you can see all available signals on the network: from any IEX-16L as well as from any myMix device that uses its local inputs. Scroll to a channel and press the encoder button to toggle between “Selected” (green check), or “Deselected” (red X).

Each myMix can select its individual selection of up to 8 audio channel pairs (up to 16 audio channels) from all available channels on the network. On the status bar there is a counter that shows the total amount of network channels currently available (the figure behind the /) and the amount currently selected on the myMix (the figure before the /). Each myMix can select a maximum of 16 audio channels within 8 audio channel pairs.

The channel selection is automatically stored in the current profile. It is recommended to create a new profile for a different scenario that has a different set of input signals as this will minimize the set-up time. myMix can store up to 20 different profiles.



Note: Because audio signals are streamed in pairs the channel counter will go up by two when you select a stereo channel, or a single mono signal. However, if you select the adjacent input to an already selected mono signal (e.g. input 4 from IEX16L, after you have selected input 3 already) the counter will not go up.

Example of Audio Channel Selection

The following example is showing the signals of a myMix system and the individual selections from two musicians. Network Signal is the name of the signal. Source is listing where it is taken from: Direct Out or Aux Send from the mixing console, or direct from the source (e.g. via a secondary output or only connected to myMix). Input shows the input to the myMix network either via IEX-16L or a myMix unit. Audio channel pairs are shown in same color bars.

#	Network Signal	Source	Input
1	Kick Drum	Direct Out	IEX 01
2	Snare	Direct Out	IEX 02
3	Submix Drums Left	Aux Send	IEX 03(S)
4	Submix Drums Right	Aux Send	IEX 04(S)
5	Bass	Direct Out	IEX 05
6	Saxophone	Direct Out	IEX 06
7	E-Guitar	Direct Out	IEX 07
8	Acoustic Guitar	Direct Out	IEX 08
9	Playback Left	Direct Out	IEX 09 (S)
10	Playback Right	Direct Out	IEX 10(S)
11	E-Guitar 2	direct	myMix1-1(M)
12	Keyboards Left	submix keys	myMix2-1(S)
13	Keyboards Right	submix keys	myMix2-2(S)
14	Lead Vocals	Direct Out	IEX 11
15	Vocals 1 (Bass)	Direct Out	IEX 12
16	Vocals 2 (E-Guitar)	Direct Out	IEX 13
17	Vocals 3 (Keyboards)	Direct Out	IEX 14
18	Submix Vocals Left	Aux Send	IEX 15
19	Submix Vocals Right	Aux Send	IEX 16
20	Click (Drum Machine)	direct	myMix 3-1(M)
21	Ambience Mic	direct	myMix 4-1(M)
22	Playback Left	direct	myMix 5-1(S)
23	Playback Right	direct	myMix 5-2(S)

(S) inputs configured stereo (DM) inputs dual mono (M) mono input

One IEX-16L is located at the FOH console and receives a total of 16 input channels as Direct Outs or Aux Sends from the console. In addition five myMixes on stage are also taking input signals: E-Guitar-2 direct from the second output of a modeler, Keyboards direct from second output of the submixer, a drum machine (Click), one ambience microphone, and a file player with playbacks using the headphone outs to feed the signal in the mymix network.

The drummer's myMix

DRUMMER Click	IEX16-1 01 Kick Drum	BACK
IEX16-1 02 Snare	IEX16-1 03 Drums Mix	
IEX16-1 07 E-Guitar	IEX16-1 13 VocalsMix	SOLO
KEYBOARDER Keys	myMix 5 Playback	MUTE
		SETTINGS
DRUMMER PROFILE 5		14/26

The drummer has selected 8 channels to create his mix. He has selected from 7 audio channels pairs, so the channel count is 14. The total amount of network channels shows 26 (16 from IEX-16L and 10 from the 5 myMix units).

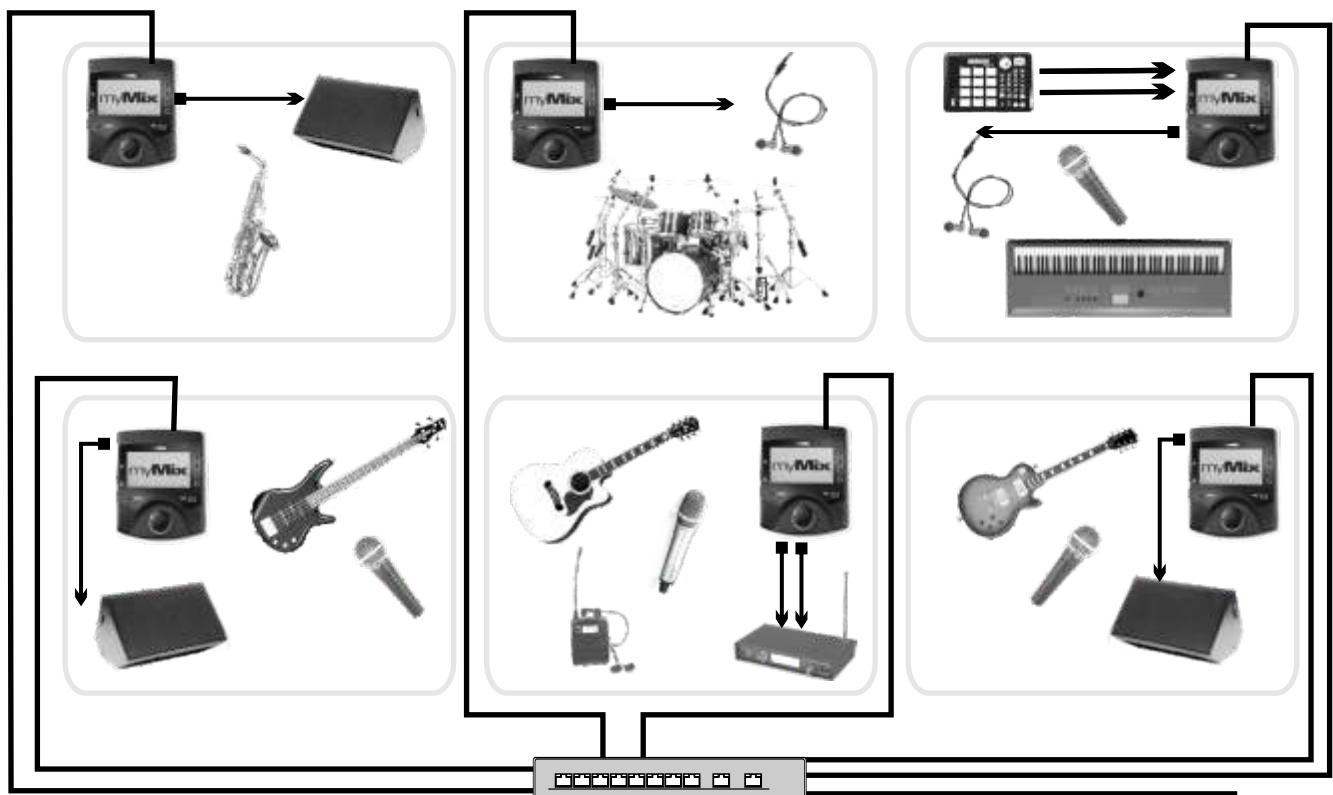
The lead singer's myMix

IEX16-1 03 Drums Mix	IEX16-1 05 BASS	BACK
IEX16-1 07 E-Guitar	IEX16-1 11 Lead Vocal	
IEX16-1 12 Vocal Bass	IEX16-1 13 Vocal Guitar	SOLO
IEX16-1 14 Vocal Keys	KEYBOARDER Keys	MUTE
myMix 4 Ambience	myMix 5 Playback	SETTINGS
Lead Singer Stage 2		16/26

The lead singer has selected 10 channels from 8 channel pairs. Note that he could still have selected the adjacent channels (e.g. IEX 06 -Saxophone, IEX 08 Acoustic Guitar) for the same channel count. Channel count for his unit is 16, the overall network has 26 audio channels.

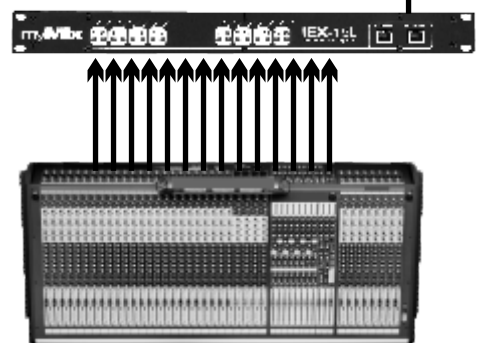
SYSTEM EXAMPLES

One IEX-16L with inputs from the mixing console



#	Network Signal	Source	Input
1	Kick Drum	Direct Out	IEX 01
2	Snare	Direct Out	IEX 02
3	Submix Drums Left	Aux Send	IEX 03(S)
4	Submix Drums Right	Aux Send	IEX 04(S)
5	Bass	Direct Out	IEX 05
6	Saxophone	Direct Out	IEX 06
7	E-Guitar	Direct Out	IEX 07
8	Acoustic Guitar	Direct Out	IEX 08
9	Keyboards Left	Direct Out	IEX 09(S)
10	Keyboards Right	Direct Out	IEX 10(S)
11	Lead Vocals	Direct Out	IEX 11
12	Vocals 1 (Bass)	Direct Out	IEX 12
13	Vocals 2 (E-Guitar)	Direct Out	IEX 13
14	Vocals 3 (Keyboards)	Direct Out	IEX 14
15	Submix Vocals Left	Aux Send	IEX 15
16	Submix Vocals Right	Aux Send	IEX 16
17	Click (Drum Machine) Left	myMix (keys)	Input 1(S)
18	Click (Drum Machine) Right	myMix (keys)	Input 2(S)

Network signals are shown in audio channel pairs (same color)
 (S): Two audio channels linked for stereo signal



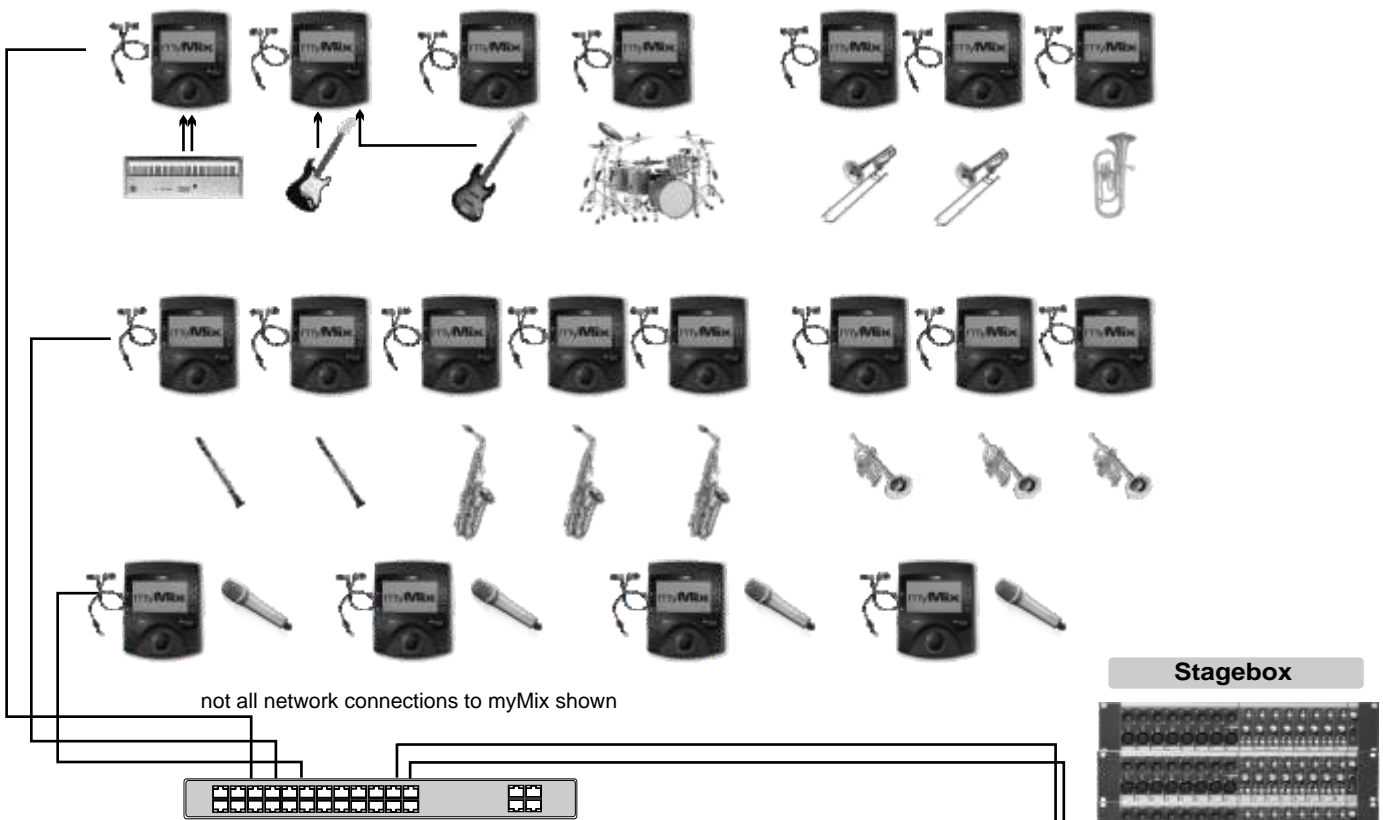
All signals picked up with a DI-Box or microphone are sent via the multi-core cable to the main console. 12 signals are fed from the direct outputs, four via aux send to the IEX-16L. The keyboardist is using the two local inputs of his myMix for a drum machine (click), which is not needed for the main console, but available in the myMix network for monitoring

The six musicians can all select their individual selection of up to 16 channels (8 audio channel pairs) to create their individual mix. The selected channels are recorded as individual tracks when recorded to a SD/SDHC card.

For a total of 18 channels a managed switch (IGMP snooping) needs to be used. If inputs 15/16 of the IEX16 were not used (disabled) the system can be operated using a simple unmanaged Ethernet switch.

SYSTEM EXAMPLES

Two IEX-16L with inputs from mic splitters and mixing console



#	Network Signal	Source	Input
01	Kick Drum	Splitter-1-01	IEX-1-01
02	Snare	Splitter-1-02	IEX-1-02
03	HiHat	Splitter-1-03	IEX-1-03
04	Tom 1	Splitter-1-04	IEX-1-04
05	Tom 2	Splitter-1-05	IEX-1-05
06	Tom 3	Splitter-1-06	IEX-1-06
07	Overhead 1	Splitter-1-07	IEX-1-07(S)
08	Overhead 2	Splitter-1-08	IEX-1-08(S)
09	Baritone	Splitter-2-01	IEX-1-09
10	Trombone 1	Splitter-2-02	IEX-1-10
11	Trombone 2	Splitter-2-03	IEX-1-11
12	Trumpet 1	Splitter-2-04	IEX-1-12
13	Trumpet 2	Splitter-2-05	IEX-1-13
14	Trumpet 3	Splitter-2-06	IEX-1-14
15	Saxophone 1	Splitter-2-07	IEX-1-15
16	Saxophone 2	Splitter-2-08	IEX-1-16
17	Saxophone 3	Splitter-3-01	IEX-2-01
18	Clarinet 1	Splitter-3-02	IEX-2-02
19	Clarinet 2	Splitter-3-03	IEX-2-03
20	Vocal 1	Splitter-3-04	IEX-2-04
21	Vocal 2	Splitter-3-05	IEX-2-05
22	Vocal 3	Splitter-3-06	IEX-2-06
23	Vocal 4	Splitter-3-07	IEX-2-07
24	Keyboard Left	Local Split	myMix1(S)
25	Keyboard Right	Local Split	myMix1(S)
26	Bass	Local Split	myMix 2
27	E-Guitar	Local Split	myMix 2
28	SubMix Drums-L	Aux Send	IEX-2-09(S)
29	Submix Drums-R	Aux Send	IEX-2-10(S)
30	Submix Brass	Aux Send	IEX-2-11
31	Submix Woodwinds	Aux Send	IEX-2-12
32	Submix Rhythm-L	Aux Send	IEX-2-13(S)
33	Submix Rhythm -R	Aux Send	IEX-2-14(S)
34	Submix Vocals-L	Aux Send	IEX-2-15(S)
35	Submix Vocals R	Aux Send	IEX-2-16(S)

All signals are picked up with DI box or microphone and run via multicore to the main console. 23 signals are split with a mic splitter/pre amp on stage and fed to the IEX-16L. Keyboards, bass and guitar are split locally (second output or link out from DI box) and fed to the local inputs of two myMix units. In addition two mono and three stereo sub mixes are sent from the console via multicore to the second IEX-16L.

Each musician can pick between individual channels and submixes to create the individual mix. While the drummer might select all drum mics individually (8 channels) he selects submixes for vocals brass and woodwinds. The vocalists might want all vocal mics separately but a submix of the drums and the other instruments.

This system needs a managed switch with IGMP snooping. To support 19 myMix units with POE, it might be simpler using two switches with 8 and 12 POE ports that are connected with a 1GB uplink (see Network System Examples page 12).

UPDATING FIRMWARE

- To operate with **IEX-16L**, myMix requires a firmware version of V1.33 or higher, **IEX16L-A** requires V1.45 or higher.
- Check on www.mymixaudio.com for the latest firmware updates.
- Use the external psu for a firmware update. Don't connect myMix or the IEX-16L to a switch.
- The firmware update requires a temporarily free, freshly formatted SD/SDHC card compliant to SDA 2.0.
- Update the myMix unit(s) first (steps 1 through 7), then update the IEX-16L (Steps 8 though 15).
- Before you connect to the network ensure all units you want to use have the firmware version.

1. Format SD card in myMix (ADMINISTRATION screen)
2. Download the latest firmware for **myMix** and **IEX-16L** from www.mymixaudio.com
3. Save both firmware files (for **IEX-16L** and **myMix**) on the formatted SD card.
4. Insert the SD card in **myMix** while the unit is powered down and not connected to a network (if you usually use a POE switch to power the unit, please use the external psu). Check for the SD card symbol in the control bar to show up. If you still see the "No Card" sign reinsert card.
5. Hold down the MUTE button and the jog wheel, then power up the unit.
6. Release the two buttons when you see the black Firmware Update screen. Be patient while the update is taking place, and follow the instructions on the screen. Firmware updates can take up to 5 minutes.
7. Reboot your **myMix**. Check the display for the new firmware version in the lower left corner of the splash screen, or go to SETTINGS ADMINISTRATION ABOUT to check the current firmware version.
8. After myMix has booted up, connect a CAT5 cable to the network port of the unpowered **IEX-16L**
9. Go to Settings Administration Update **IEX-16L** firmware and press the encoder wheel
10. You'll see a message about the firmware update taking place.
11. Now power up the **IEX-16L** and watch the first 4 LEDs.
12. First LED is showing power, the second LED indicates the **IEX-16L** is waiting for the software. After a few minutes you should see the 3rd LED coming up as well. The firmware is now transmitted. When the firmware update is ready, the first 4 LEDs will be on permanently.
13. Press soft key "Done" or powercycle **myMix**.
14. Power cycle the **IEX16-L**
15. Once the **IEX-16L** has booted up, go to Settings Remote Devices and press the encoder wheel. You should see the **IEX-16L** you just updated with the new firmware version number.

Note: a firmware update for myMix or IEX-16L does not clear the initial settings like profiles or preferences. All these settings remain unaltered.

Troubleshooting for firmware updates

When the myMix unit is powered up with the SD card inserted the black screen doesn't come up:

A message "no firmware update file found" shows up

SD card not properly inserted, or file corrupt. Insert card again, or replace file

myMix boots as usual

MUTE and Encoder button were not pressed at the same time when unit was powered up, try again .

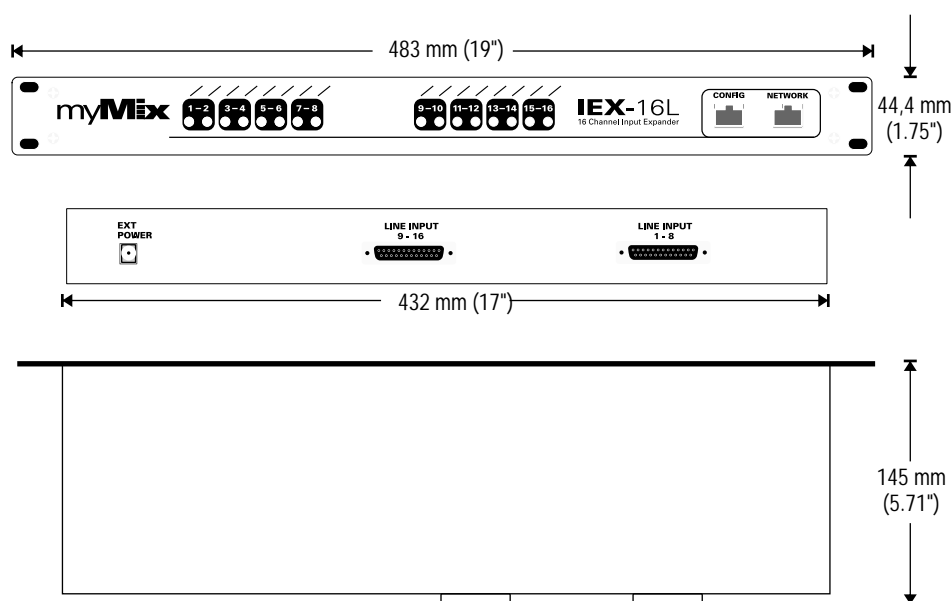
Updating firmware on IEX-16L and after 5 minutes the 3rd LED hasn't come up:

Can't receive the data from the SD card. Make sure card is inserted correctly and IEX-16L file (.blob) is on the card.

SPECIFICATIONS

Inputs	16
Input Impedance	20 kΩ, balanced
Digital Inputs (IEX16L-A only!)	2 x 8 ADAT optical (TOSLINK)
Sampling Rate ADAT Inputs	44,1/48kHz, 24-bit
Maximum Input Level	+ 20 dBu
Input Gain Adjustment (digital)	0dB, +6dB, +12dB
Frequency Response	20Hz - 20 kHz (-1dB)
Signal to Noise Ratio	> 104dB
THD+N	< 0,022%
Network	
Network Type	100Mbps Fast Ethernet
Network Cabling	CAT5/CAT5e
Network Connection	2 RJ45, (1 network, 1 myMix)
Network Switch for 16ch max.	unmanaged 100BASE-TX, Full-Duplex
Network Switch for more than 16ch	managed 100BASE-TX, IGMP snooping (v2)
Audio Channel Limit on Network	max of mulicast groups handled by the switch x 2
AD/DA Conversion	24-bit, 48kHz
Input Connectors	DB25 (8 channels) standard pin out
Dimensions (W x H x D)	483 x 44 x 146 mm (19" x 1.75" x 5.")
Net weight	2,7 kg (6 lbs)
Accessories	external PSU for IEX-16L, 100V to 240V (50/60Hz)

DIMENSIONS



E & OE. All specifications subject to change without prior notice.

myMix is a trademark of MOVEK, LLC. Patent Pending, all rights reserved by MOVEK LLC, USA.

NOTES

myMix

www.mymixaudio.com

Designed in USA